

UNIQUE LIGHTING SYSTEMS®

Down Light Dome Mounted Down Light Odyssey™ Series



PROBE-OSM: 12V & 24V Brass Down Light

| | |
|-----------------|--|
| PROJECT: | |
| TYPE: | |
| CATALOG NUMBER: | |
| LAMP(S): | |
| NOTES: | |

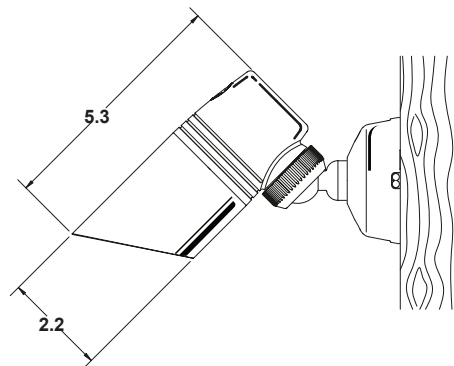
FIXTURE ORDERING INFORMATION

Example: PROS-12-20 (Probe, 12 Volt, 20 Watt, 25' Wire Lead, Weathered Brass)

| MODEL NAME | VOLTAGE | WATTAGE | WIRE LENGTH | FINISH | OPTIONS |
|------------|--------------------------|-------------------------------|---|--|----------------|
| PROS | 12=12 Volt 24=24 Volt | 20= 20W Halogen NL=No Lamp | Leave blank for standard 25' length * 0= 3' wire lead * 50= 50' wire lead | leave blank for standard WB finish P= Standard powder coat finishes. List your desired color in the order comments area. | * 6P= Six Pack |

NOTE: For additional painted finishes or six pack options contact our factory.

DIMENSIONS:



Powder Coated Finishes

| | |
|-----------------|----|
| Tucson Tan | TT |
| White | WH |
| Black | BK |
| Verde Green | VG |
| Titanium Knight | TK |

Standard Finish

| | |
|-----------------|----|
| Weathered Brass | WB |
|-----------------|----|

Stock powder coated colors displayed are subject to varying lead-times and will incur an additional cost. A Limited Warranty applies to all powder coated products. Custom colors are available upon request. Please inquire about cost and lead times. Contact factory for custom colors and matching paint options.

FLEX™ Unique Lighting Systems® fixtures are available with LED lamps. Series LED Please specify the lamp code when ordering.

* Only available with the NL wattage option.

Unique Lighting Systems® reserves the right to modify the design and/or construction of the fixture shown without further notification.

SPECIFICATIONS

Our Commitment

Unique Lighting Systems' highest commitment is to set the standard for manufacturing innovative and quality products. This commitment is evident through our detailed inspection processes and extensive field testing. From the initial design process of each product, to the final assembly of each custom-made individual part, our manufacturing process accomplishes the highest level of performance and durability carried through to final delivery to the end user. Durable construction and beautiful styling make Unique™ fixtures the ideal solution for any residential or commercial application. Unique Lighting™ already holds numerous product patents and we are constantly developing innovative ideas to help expand the lighting industry.

Body

Precision machined from solid brass casting. Body design provides enclosed, water resistant wireway to protect wires.

Gasket

High temperature silicone o-ring for water-tight seal.

Knuckle

Machined brass, exclusive ball and joint. The 360° Orbital Mount™ allows for perfect directional fine tuning.

Shroud

Precision machined and comes with a factory sealed shock resistant tempered glass lens to prevent water intrusion. Accepts up to one additional lens/hex cell accessory.

Lens

Comes with a complete set of optical designer lenses including; spread lens, frosted, hex cell and blue lens for moonlighting effect.

Lamp

For use with a halogen lamp up to 20W MR16 lamp.

Electrical Requirements

A remote 12V or 24V transformer required, may be ordered separately from Unique Lighting Systems®. Voltage range for 12V halogen lamps is 10.8V to 12V. Voltage range for 24V halogen lamps is 21.6V to 24V.

Lamp Connection

Specification grade, beryllium copper lamp holder. GU5.3 base.

Wiring

Exclusive UF Intelli-Flex wire with anti-moisture migration connections.

Mounting Hardware

Cast brass sphere base included.

Finish

Exclusive weathered brass finish is standard. Unique™ Lightings' weathered brass finish is a "living finish" and will naturally patina and change over time. Polyester powder coat finishes are also available (see chart above).

Warranty

The Odyssey Family of products from Unique Lighting Systems® carries a limited lifetime warranty against manufacturer's defects.

Manufacturing

Manufactured to ISO 9001-2008 Quality Systems Standard



UL 2108:2004 R12.07
CSA C22.2.9.0-96 (R2006)

UNIQUE LIGHTING SYSTEMS®

Probe-OSM: 12V & 24V Brass Down Light

Down Light
Base Mounted Down Light
Odyssey™ Series

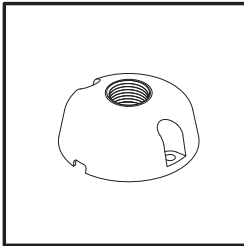


ACCESSORIES

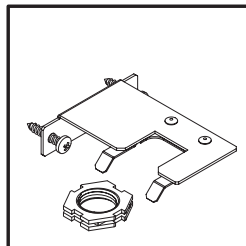
| Type | Part # | Description |
|------------------|--------------|-------------------------------|
| *Lens | 4310100 | Clear domed replacement lens |
| *Lens | MR16AXOP | Linear Spread |
| *Lens | MR16DEOP | Frosted |
| *Lens | MR16VIOP | Dimpled Spread |
| Lens | MR16AMBER | Amber (Sea Turtle Friendly) |
| *Lens | MR16BLUE | Blue |
| Lens | MR16GREEN | Green |
| Lens | MR16RED | Red |
| Lens | MR16YELLOW | Yellow |
| *Lens | MR16HEX | Aluminum Hex Louver |
| *Lense Clip | 16CLIP | Lens Retainer Clip |
| Mounting Bracket | STRATBRACKET | Stratosphere mounting Bracket |
| *Base | SPHEREBASE | Round Mounting Base |
| Mounting Bracket | UNIBRACKET | Gutter Bracket |

*Included with standard fixture

COMMONLY USED WITH THIS FIXTURE:



Round Mounting Base
Part # SPHEREBASE



Stainless Steel Bracket
Part # UNIBRACKET



UL 2108:2004 R12.07
CSA C22.2.9.0-96 (R2006)