



Optional Long Shroud

PROJECT

CATALOG #

TYPE

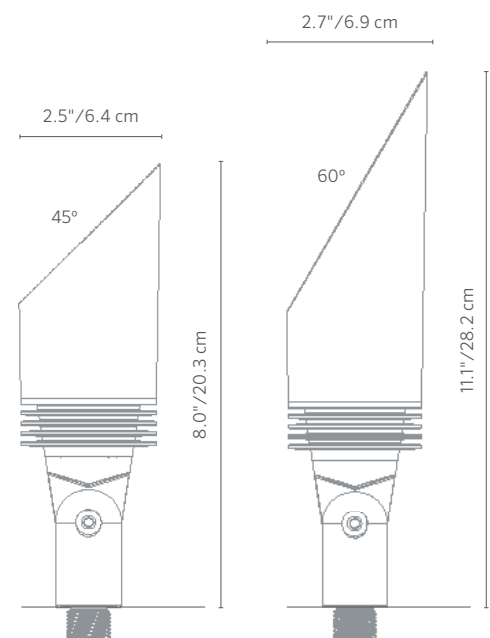
NOTES

NP Up Light DESIGNER PLUS

Expertly engineered with 45° or 60° shroud options to illuminate a variety of spaces in 1, 3, 6, or 9 LED. An RGBW version is also available for use with LuxorZDC systems.

Quick Facts

- Die-cast aluminum
- Two-layer marine-grade anodization and powder coat finish
- Cree® integrated LEDs
- ProAim™ adjustability
- Tamper-resistant features
- Color temperature filters
- Compatible with Luxor® technology
- Phase and PWM dimmable
- Input voltage: 10-15V



NP Up Light SPECIFICATIONS

Output	1LED	3LED	6LED	9LED	ZDC
Total Lumens †	50	135	280	360	110
Input Voltage	10 to 15V	10 to 15V	10 to 15V	10 to 15V	11 to 15V
Input Power (W):	2.0	4.2	10.1	11.2	9.1
VA	2.4	4.5	13.5	13.5	11.0
Efficacy (Lumens/Watt)	25	32	27	32	21
Color Rendering Index (CRI)	67	68	80	68	82
Center Beam Candlepower*					
Spot (17-20)	232	464	1069	897	172
Dimming	PWM, Phase**	PWM, Phase**	PWM, Phase**	PWM, Phase**	--
RGBW Available	No	No	No	No	Yes
Luxor Compatibility					
Default	Zoning	Zoning	Zoning	Zoning	--
ZD Option	Zoning/Dimming	Zoning/Dimming	Zoning/Dimming	Zoning/Dimming	--
ZDC Option	--	--	--	--	Zoning/Dimming/ Color
Minimum Rated Life (L70)	50,000 Hrs	50,000 Hrs	50,000 Hrs	50,000 Hrs	50,000 Hrs

* Information not available for Flood or Wide Flood ** For optimal performance, use a trailing-edge, phase-cut dimmer.

† Measured using the 3,900K CCT lens. Multipliers for other CCTs include 0.80 (2,700K), 0.65 (4,500K), and 0.65 (5,200K).

FX Luminaire

FX Luminaire is an industry-leading manufacturer of landscape and architectural lighting products with a focus on the advancement of LED technology and digital lighting control with zoning, dimming, and color adjustment capabilities. We offer a full spectrum of highly efficient lighting fixtures that can be utilized to create elegant, cutting-edge landscape lighting systems for commercial or residential applications. Our products are available exclusively via our extensive professional distributor network.

Materials

Die-cast aluminum A380 housing and shroud with stainless steel hardware. Die-cast zinc/aluminum alloy knuckle.

Lamp

Integrated module with Cree LEDs. Gold-plated connectors and conformal coated for maximum reliability and corrosion resistance. Proprietary on-board intelligent driver uses firmware-controlled temperature regulation, maximizing LED life. Field upgradeable and replaceable, the LEDs are rated to 50,000 hrs. Maximum drive current: 1 A.

Optics

Polycarbonate color temperature adjustment lenses included with fixture: 2,700K (preinstalled), 3,900K (no lens), 4,500K, and 5,200K. Interchangeable optics for 10°, 20°, 30°-32°, or 55-58° distributions ordered pre-assembled to fixture. Color temperature and beam angle lenses field serviceable. For additional color filters, spread lenses, hex baffles, etc., use MR-16 sized accessories (MR-16: 1.95"/49.5mm dia. x 1.1 mm thickness). Beam angle is calculated using LM-79 method for SSL luminaires.

Socket

Socket contains MoistureBlock™ technology, preventing moisture from wicking up into sealed areas of the fixture.

Wiring

18 AWG SPT-1W 105°C 300V 1.5 meter length, pre-stripped

Power

Input 10-15VAC/VDC 50/60Hz. Remote transformer required (specify separately).

Housing

Die-cast aluminum housing with capacity for 1LED, 3LED, 6LED, 9LED, or ZDC integrated LEDs.

Shroud

Die-cast aluminum shroud with 45° cutoff (standard) or 60° long shroud option.

Knuckle

Die-cast zinc/aluminum alloy knuckle with ½-14 NPSM threads. Compress and lock features prevent slip after installation. 9° increments adjustability over 220° of vertical adjustment.

Lens

Tempered glass lens with shock resistance and high tolerance for thermal expansion and stress.

Finish

Two-layer protection of sulfuric acid anodization and polyester TGIC powder coat, providing superior outdoor weathering in all conditions. Tested to ASTM standards.

Weight

1.9 lbs.

Hardware

¼-20 x ¾" stainless steel angle lock screw. Includes Super Slot spike.

International Compliance

Compliant per IEC 60598-1 and IEC 60598-2-7 when used with International Spike Kit ("EKITSPIKE") or alternate mount greater than or equal to IP65, or by selecting the "e" version.

Ambient Operating Temperature

0°F to 140°F

Control

LuxorZD or LuxorZDC utilizes Luxor® technology to zone light fixtures in up to 250 groups, dim each group in 1% increments between 0 and 100%, or change to one of 30,000 colors with RGBW LEDs. Select the ZD option for zoning/dimming or ZDC for zoning/dimming/color. Standard fixture is zoneable with LuxorZD or LuxorZDC.

Sustainability

Innovation meets conservation in the design and manufacturing of our products. Where we can, we use recycled materials while maintaining superior functionality. Our LED products provide high-quality light at optimal energy efficiency, lifespan, and durability.

Installation Requirements

Designed for installation in the upward direction only.

ISO

9001:2015 certified facility

Warranty

10-year limited warranty

Listings



NP Up Light ORDERING INFORMATION

Fixture	Luxor Option	Output	International Option	Shroud	Finish			
NP*	■ [default] Zone	■ 1LED 50 Lumens	■ [default] North America (UL-listed)	■ [default] Standard Shroud (45°)	■ WG White Gloss		■ DG Desert Granite	
	■ ZD Zone/Dim	■ 3LED 135 Lumens	■ e International (CE approved)	■ LS Long Shroud (60°)	■ FW Flat White		■ WI Weathered Iron	
		■ 6LED 280 Lumens			■ AL Almond		■ SB Sedona Brown	
		■ 9LED 360 Lumens			■ BL Bronze Metallic		■ FB Black	
	■ ZDC Zone/Dim/ Color	■ [default] 110 Lumens						

EXAMPLE FIXTURE CONFIGURATION: NP-ZD-6LED-BZ
* Ships with Super Slot spike



MOUNTING OPTIONS: Specify Separately

Mounts	Catalog No.	
■ SUPER SLOT SPIKE 2.5" 6.4 cm x 10" 25.4 cm	753900	
■ LONG SLOT SPIKE 2.5" 6.4 cm x 12" 30.5 cm	250015840000	
■ SUPER J-BOX 2.5" 6.4 cm x 12" 30.5 cm	SJ-XX*	
■ POST MOUNT 2.5" 6.4 cm x 13" 33 cm	PM-XX*	
■ GROUND MOUNT 2.7" 6.7 cm Diameter	GM-XX*	
■ VERSABOX 2.2" 5.7 cm x 1.5" 3.9 cm	VB-050-XX*	
■ MINI J-BOX 3.5" 8.9 cm x 1.3" 3.4 cm	MJ-050-XX*	
■ TREEBOX 5.4" 13.8 cm x 1.9" 4.9 cm	TB-XX*	
■ GUTTER MOUNT 4.0" 10.2 cm x 4.0" 10.2 cm	GM-SS	
■ WALL PLATES 3.4" 8.5 cm x 5.1" 12.9 cm	WP-1G-050-XX*	
■ WALL PLATES 5.0" 12.7 cm Diameter	WP-RD-050-XX*	

RISER OPTIONS: Specify Separately

Riser	Code	
■ RISER 0.8" 2.1 cm Diameter	YY-R-XX*	
■ SIGN LIGHT RISER 0.8" 2.1 cm Diameter w/ 45° Inward Curve	YY-R-SL-XX*	

COUPLING OPTIONS: Specify Separately

Couplings	Code	
■ STRAIGHT 1.3" 3.2 cm x 2.0" 5.1 cm	COUP-XX*	
■ 90° ELBOW 1.3" 3.2 cm x 2.0" 5.1 cm	ELBW-050-XX*	
■ T-MOUNT 3.0" 7.6 cm x 2.2" 5.7 cm	TMNT-050-XX*	

LENS ACCESSORIES: Specify Separately

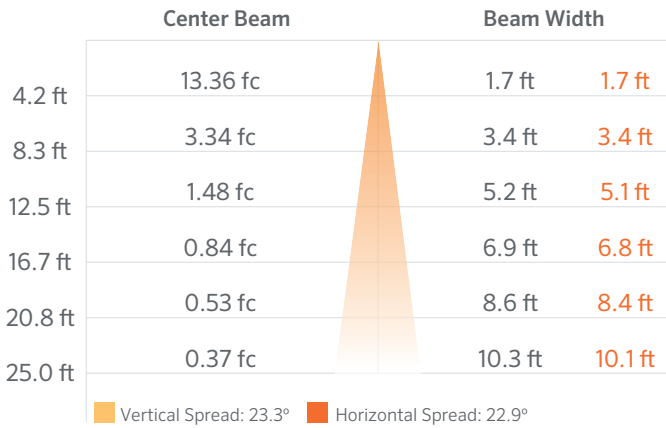
Item	Code	
■ HEX BAFFLE MR-16 Size	250015260000	
■ LINEAR SPREAD LENS MR-16 Size	250013550000	
■ SOLITE SPREAD LENS MR-16 Size	250015240000	

*YY = riser height in inches (6" increments between 6" and 36"),
XX = finish code

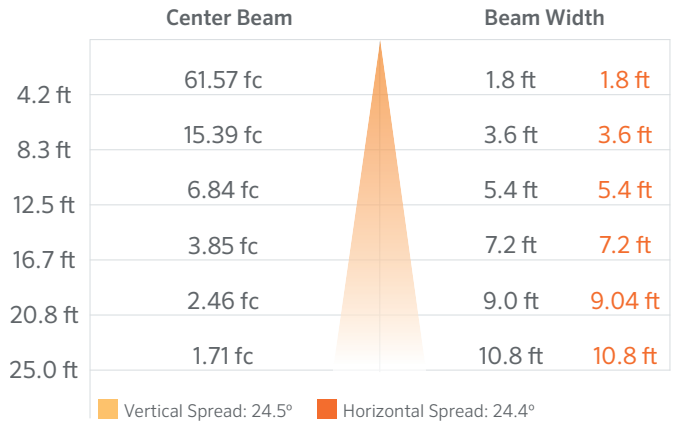
BEAM ANGLE LENSES: Specify Separately

Lens Options	1LED	3LED	6/9LED
■ DIFFUSER 18° (preassembled)	■ 770600	■ 771300	■ 771600
■ FLOOD LENS 30-32° (1 notch)	■ 1LEDFLENS	■ 3LEDFLENS	■ 9LEDFLENS
■ WIDE FLOOD LENS 56-58° (2 notches)	■ 1LEDWFLENS	■ 3LEDWFLENS	■ 9LEDWFLENS

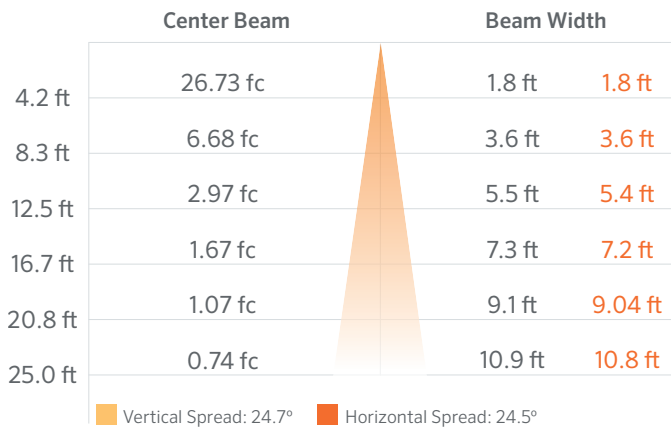
NP 1LED ILLUMINANCE AT A DISTANCE



NP 6LED ILLUMINANCE AT A DISTANCE



NP 3LED ILLUMINANCE AT A DISTANCE



NP 9LED ILLUMINANCE AT A DISTANCE

