

UNIQUE LIGHTING SYSTEMS®

Up Light
Stake Mounted Up Light
Copper Knights™ Series



GUARDIAN: 12V & 24V Copper Up Light

| | |
|-----------------|--|
| PROJECT: | |
| TYPE: | |
| CATALOG NUMBER: | |
| LAMP(S): | |
| NOTES: | |

FIXTURE ORDERING INFORMATION

Example: GAUR-12-L327 (Guardian, 12 Volt, 3 Watt, 2700K LED MR16, 25' Wire Lead, Natural Copper)

| MODEL NAME | VOLTAGE | WATTAGE | WIRE LENGTH | FINISH | OPTIONS |
|------------|--------------------------|--|---|--|----------------|
| GAUR | 12=12 Volt 24=24 Volt | L327= LED, 3W, 2700K, FLOOD L330= LED, 3W, 3000K, FLOOD L427= LED, 4W, 2700K, FLOOD L430= LED, 4W, 3000K, FLOOD L527= LED, 5W, 2700K, FLOOD L530= LED, 5W, 3000K, FLOOD L627= LED, 6W, 2700K, FLOOD L630= LED, 6W, 3000K, FLOOD 20= 20W Halogen 35= 35W Halogen NL=No Lamp | Leave blank for standard 25' length * 0= 3' wire lead * 50= 50' wire lead | leave blank for standard NC finish P= Standard powder coat finishes. List your desired color in the order comments area. | * 6P= Six Pack |

NOTE: Pre-lamped LED fixtures are NOT available with 24V lamps. LED fixtures are available ONLY with a 25' wire lead. For additional painted finishes or six pack options contact our factory.

Powder Coated Finishes

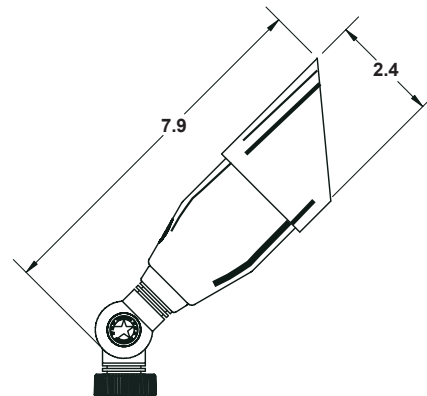
| | |
|-----------------|----|
| Tucson Tan | TT |
| White | WH |
| Black | BK |
| Verde Green | VG |
| Titanium Knight | TK |

Standard Finish

| | |
|----------------|----|
| Natural Copper | NC |
|----------------|----|

Stock powder coated colors displayed are subject to varying lead-times and will incur an additional cost. A Limited Warranty applies to all powder coated products. Custom colors are available upon request. Please inquire about cost and lead times. Contact factory for custom colors and matching paint options.

DIMENSIONS:



FLEX™ Unique Lighting Systems® fixtures are available with LED lamps. Please specify the lamp code when ordering.

* Only available with the NL wattage option.

Unique Lighting Systems® reserves the right to modify the design and/or construction of the fixture shown without further notification.

SPECIFICATIONS

Our Commitment

Unique Lighting Systems' highest commitment is to set the standard for manufacturing innovative and quality products. This commitment is evident through our detailed inspection processes and extensive field testing. From the initial design process of each product, to the final assembly of each custom-made individual part, our manufacturing process accomplishes the highest level of performance and durability carried through to final delivery to the end user. Durable construction and beautiful styling make Unique™ fixtures the ideal solution for any residential or commercial application. Unique Lighting™ already holds numerous product patents and we are constantly developing innovative ideas to help expand the lighting industry.

Body

Precision machined from copper. Body design provides enclosed, water resistant wireway to protect wires. Features an integral knuckle for maximum mechanical strength.

Gasket

High temperature silicone o-ring for water-tight seal.

Knuckle

Machined brass knuckle with a solid brass adjustable thumb screw. Vertical tilt of 270° and horizontal rotation of 360° for easy aiming. The Orbital Lock Nut™ allows for locking the horizontal rotation without adjusting the stake.

Shroud

Precision machined and comes with a factory sealed shock resistant glass lens to prevent water intrusion.

Lens

Factory sealed shock resistant clear glass lens to prevent water intrusion.

Lamp

For use with a halogen lamp up to 35W MR16 lamp. **FLEX™** Series LED lamps are available in 3W, 4W, 5W or 6W MR16. LED lamps are available in 2700K and 3000K color temperatures.

Electrical Requirements

A remote 12V or 24V transformer required, may be ordered separately from Unique Lighting Systems®. Voltage range for 12V halogen lamps is 10.8V to 12V. Voltage range for 24V halogen lamps is 21.6V to 24V. Voltage range for **FLEX™** Series LED MR16 lamps is 10V-18V.

Lamp Connection

Specification grade, beryllium copper lamp holder. GU5.3 base.

Wiring

Exclusive UF Intelli-Flex wire with anti-moisture migration connections.

Mounting Stake

Standard mounting stake is injection molded PVC with a 1/2" NPS threaded female fitting.

Finish

Natural Copper finish is standard. Unique™ Lightings' Natural Copper finish is a "living finish" and will naturally patina and change over time. Polyester powder coat finishes are also available (see chart above).

Warranty

The Copper Knights Family of products from Unique Lighting Systems® carries a limited 15 year warranty against manufacturer's defects.

Manufacturing

Manufactured to ISO 9001:2008 Quality Systems Standard



UL 2108:2004 R12.07
CSA C22.2.9.0-96 (R2006)