

UNIQUE LIGHTING SYSTEMS®

MULTI-MATIC: 12V Multi-Matic 200W LED Transformer

Transformer Stainless Steel Transformer Multi-Matic Series



PROJECT:	
TYPE:	
CATALOG NUMBER:	
LAMP(S):	
NOTES:	

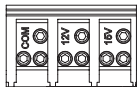
TRANSFORMER ORDERING INFORMATION

Example: 200SSSL-LEDWB (200 Watt, Stainless Steel, Weathered Brass Finish)

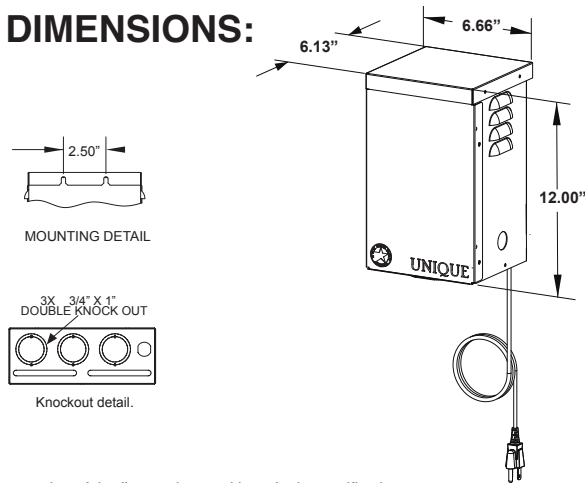
MODEL WATTAGE	TYPE	OPTION 1
200 = 12V & 15V Output Leads	SSSL = Stainless Steel Secondary Lug	WB = Weathered Brass Finish

Output Wattage	Output Leads	120v Max Amps	Fuse Size
200	(12 & 15v)	1.66	2.00

Tinned 6061-T6 aluminum lug with 3mm set screws



DIMENSIONS:



Unique Lighting Systems® reserves the right to modify the design and/or construction of the fixture shown without further notification.

SPECIFICATIONS

Tru-Core™ Technology

Unique Lighting Systems' highest commitment is to set the standard for manufacturing, innovation and quality products. Tru-Core™ Transformers are engineered and built by Unique with solid copper core windings and the highest quality materials. Our high quality materials and precision grain-oriented steel laminations combine for an energy efficient product with very low no-load amps. We utilize dual layer insulation between the primary and secondary winding. As an industry leader we wind our own cores and specify all the materials including laminations, copper wire, surface area of the wire and more. You can buy a less expensive transformer, but you can only get the quality of a Tru-Core™ from Unique Lighting Systems®.

Core

Engineered single core design with precision grain-oriented steel laminations. High temperature glass impregnated nylon bobbin and solid copper mag wire. To ensure robust construction each output tap is welded to the mag wire for optimum connectivity.

Construction

304 stainless steel (complies with NEMA 3R).

Primary Protection

Replacable 3AG Time Delay (glass slow-blow fuse).

Power Cord

16/3 SJTW power cord. Six feet in length.

Electrical Requirements

Available power ratings 200 Watts. Primary voltage is 120 volts, secondary voltage is 12V and 15V output. See individual models for exact output leads.

Output Terminal

Each SSSL option includes a Tinned 6061-T6 aluminum lug strip with 3mm hex set screw for a positive torque connection. Includes 3mm hex key tool with every lugged transformer.

Finish

Stainless Steel finish is standard. Unique™ Lightings' Weathered Brass finish is a "living finish" and will naturally patina and change over time.

Warranty

All transformers from Unique Lighting Systems® carry a limited lifetime warranty against manufacturer's defects.

Manufacturing

Manufactured to ISO 9001-2008 Quality Systems Standard.

Features & Benefits

- Oversized colored terminal lugs ideal for multiple connections at each tap
- Snap-in photocell ready
- Easy to read instruction mounted inside door
- Hex tool supplied with transformer
- 3/4" and 1" knock outs on bottom and sides for conduit
- 120-Volt receptacle for use with timers
- Louvered vents in the housing allow for cool running operation



UL 1598: 2004 R5.06
CAN/CSA-C22.2 No. 250.0-04

